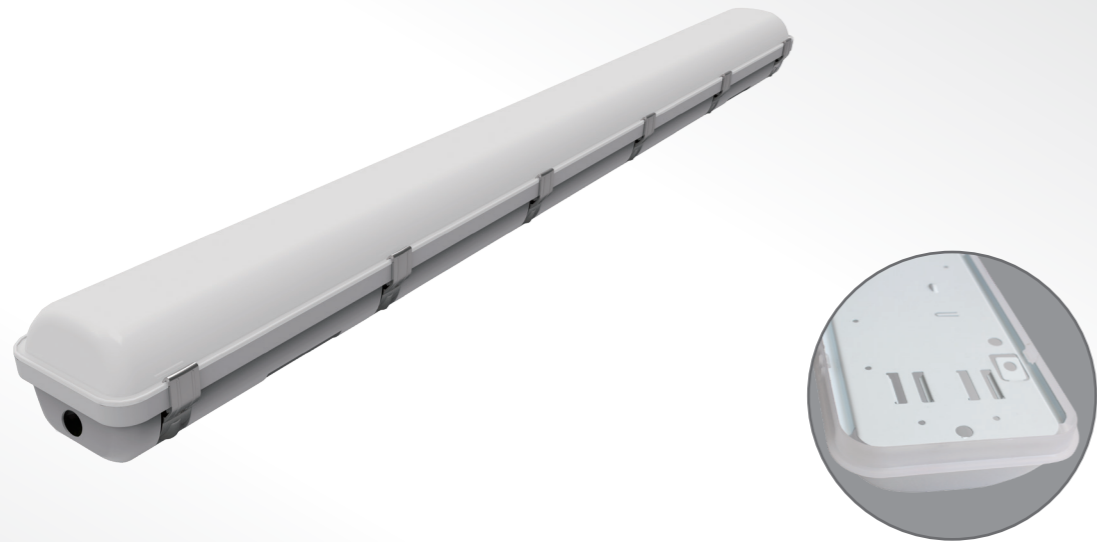


# KRONUS KS600/KS1200/KS1500



Grey

PCB plate integrated with diffuser to save installation time and protect LED chips.

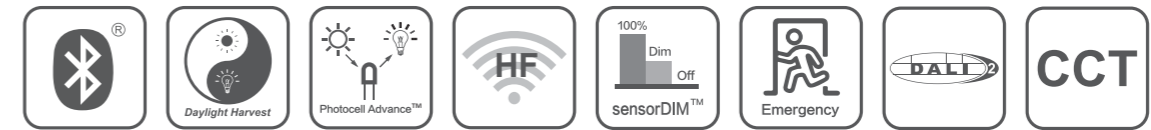


## Features & Benefits

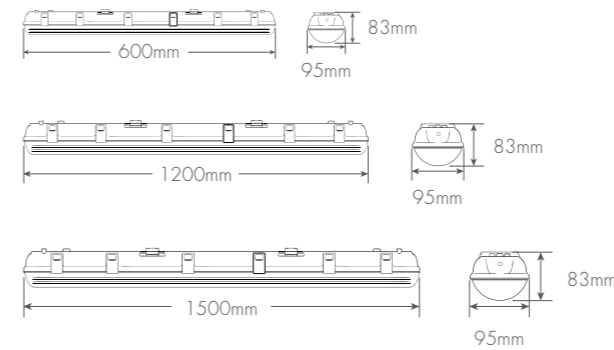
Kronus, Tri-proof luminarie, is designed for use in areas with high requirements for dust and water resistance. It is especially recommended for lighting public facilities, garages, passages, warehouses, shops, food industry, commercial and industrial facilities (factories, laboratories), warehouses, parking lots (underground and multi-level), sports stadiums, transport terminals, and underground passages, basement, culvet, etc.

- Reserved BESA holes • Cable entry from side and back • Through wiring , 5x2.5mm<sup>2</sup>
- IP66 water-proof • IK10 vandal-proof
- Optional selectable color temperature • Optional selectable power
- Ceiling mounted • Installed in suspension with hanging wire
- PCB plate integrated with diffuser, LED not touchable
- Wide choice of intelligent functions, with/without Bluetooth, sensor, emergency, etc.

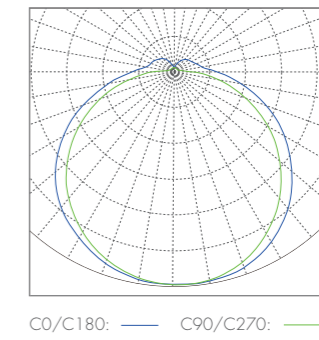
## Function



## Dimensions



## Photometrics



## Lumen Output

| Model  | Power | Colour Temp. |        |        |        | Lumen Efficiency |
|--------|-------|--------------|--------|--------|--------|------------------|
|        |       | 3000K        | 4000K  | 5000K  | (±10%) |                  |
| KS600  | 9W    | 1110lm       | 1150lm | 1180lm | (±10%) | 125 lm/W         |
| KS600  | 18W   | 2260lm       | 2340lm | 2370lm | (±10%) | 130 lm/W         |
| KS1200 | 18W   | 2260lm       | 2340lm | 2370lm | (±10%) | 135 lm/W         |
| KS1200 | 36W   | 4530lm       | 4700lm | 4780lm | (±10%) |                  |
| KS1500 | 25W   | 3100lm       | 3200lm | 3270lm | (±10%) |                  |
| KS1500 | 50W   | 6400lm       | 6600lm | 6700lm | (±10%) |                  |

## Specification

| Input Voltage | CRI | Power Factor | SDCM | Beam Angle | Operation Temp. | IP/IK     | Fitting Material | Class |
|---------------|-----|--------------|------|------------|-----------------|-----------|------------------|-------|
| 220~240VAC    | >80 | >0.9         | 3    | 120°       | -20°C~+40°C     | IP66/IK10 | Polycarbonate    | II    |

| Lifespan                           | Standard                                 | Emergency Lumen | Battery     |
|------------------------------------|--|-----------------|-------------|
| L70B50: 125,000h / L80B10: 65,000h | EN60598-2-1/EN55015/EN62778/EN60598-2-22 | 200lm~400lm     | 3h Duration |

| Model  | Carton (L x W x H) | QTY/CTN | QTY/20'GP           | QTY/40'GP           | QTY/40'HQ           |
|--------|--------------------|---------|---------------------|---------------------|---------------------|
| KS600  | 68 x 32 x 29 cm    | 9 pcs   | 3564 PCS / 396 CTNS | 7839 PCS / 871 CTNS | 8838 PCS / 982 CTNS |
| KS1200 | 128 x 32 x 29 cm   | 9 pcs   | 1890 PCS / 210 CTNS | 4167 PCS / 463 CTNS | 4689 PCS / 521 CTNS |
| KS1500 | 158 x 32 x 29 cm   | 9 pcs   | 1530 PCS / 170 CTNS | 3375 PCS / 375 CTNS | 3798 PCS / 422 CTNS |